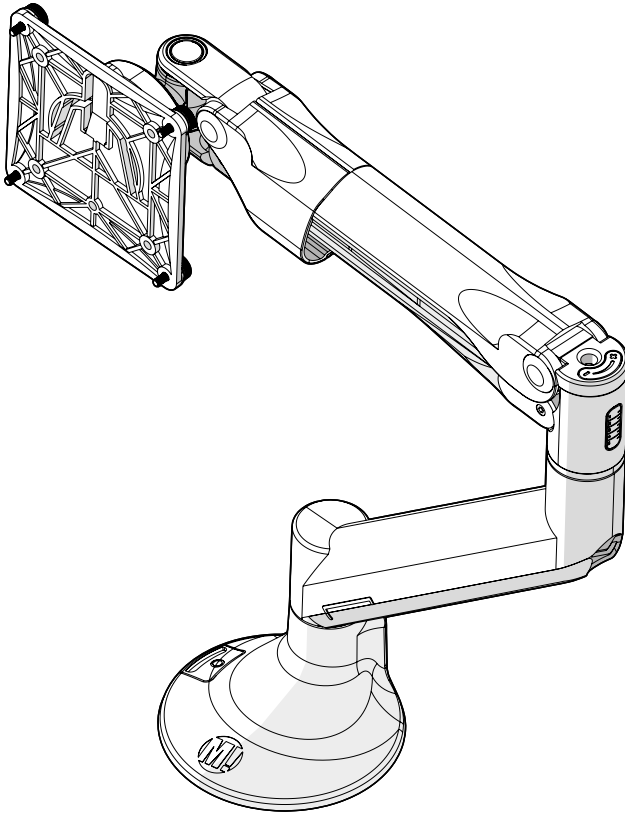


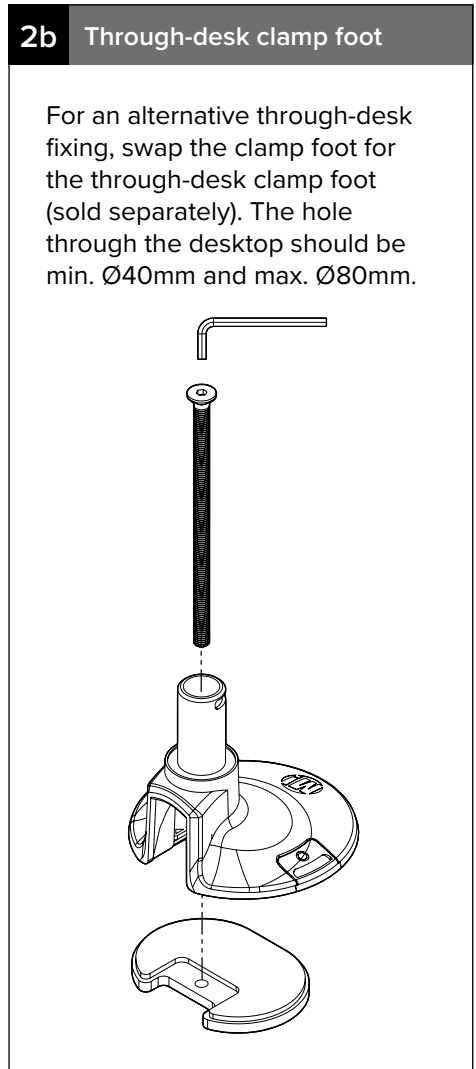
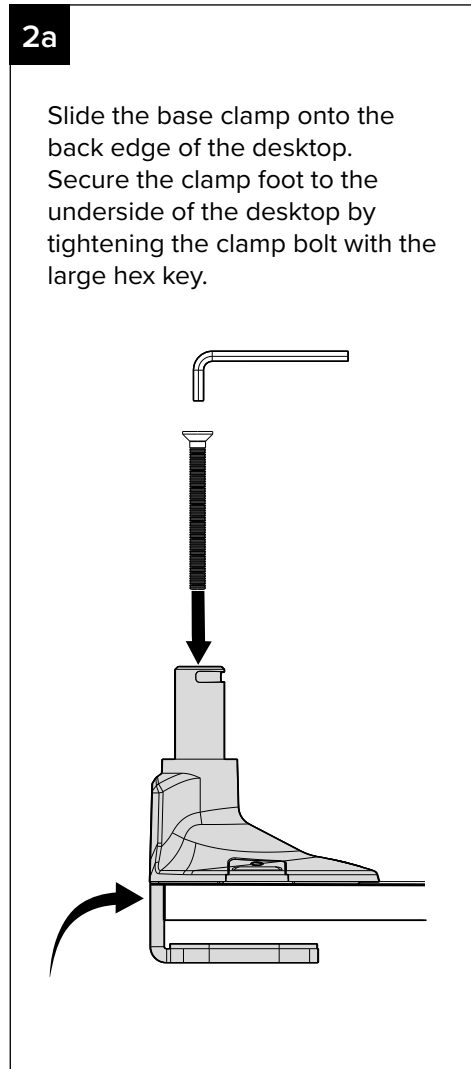
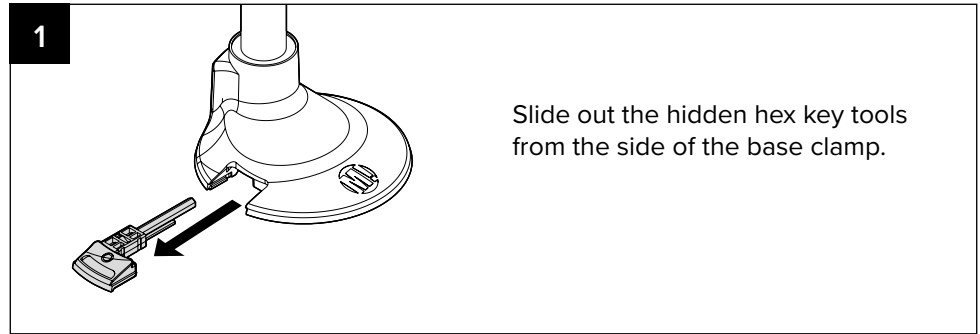
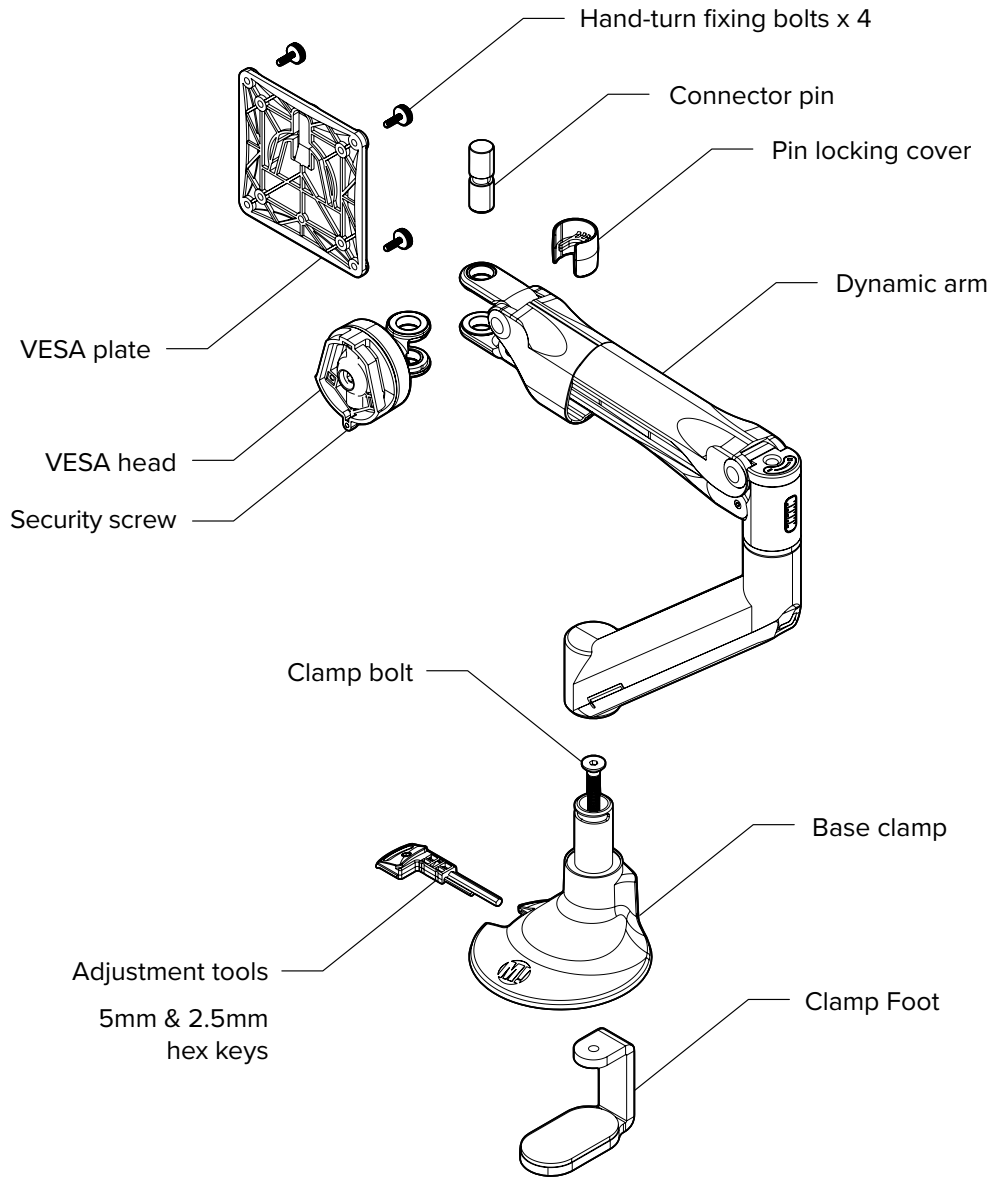
Levo

Dynamic Monitor Arm

ASSEMBLY & ADJUSTMENT INSTRUCTIONS

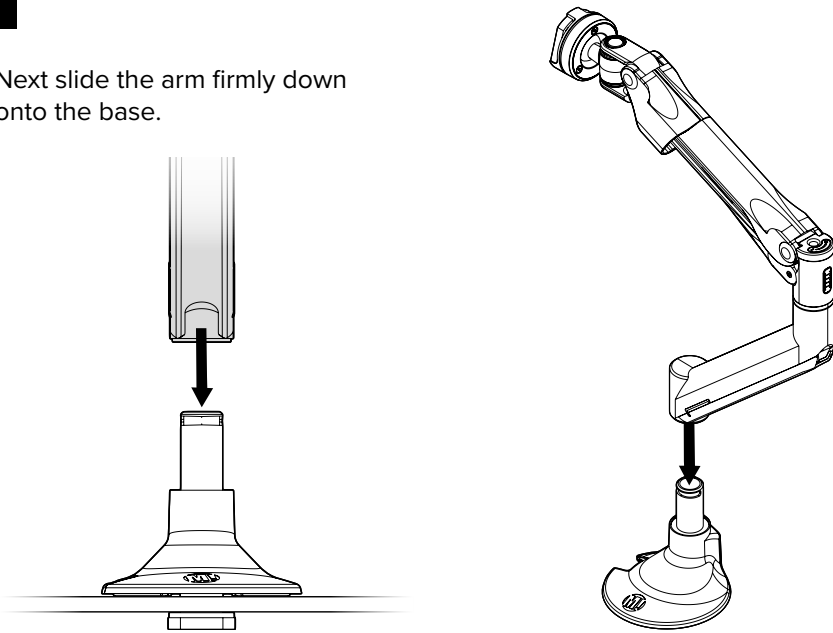


IN THE BOX



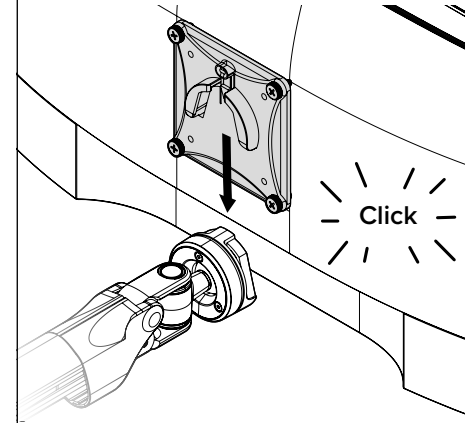
3

Next slide the arm firmly down onto the base.

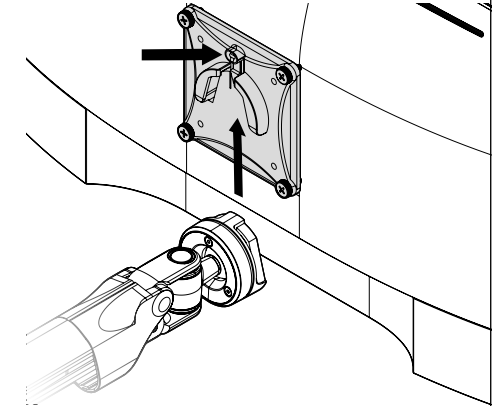


5

Holding the monitor, slide the VESA plate down onto the VESA head until you hear it click into place.

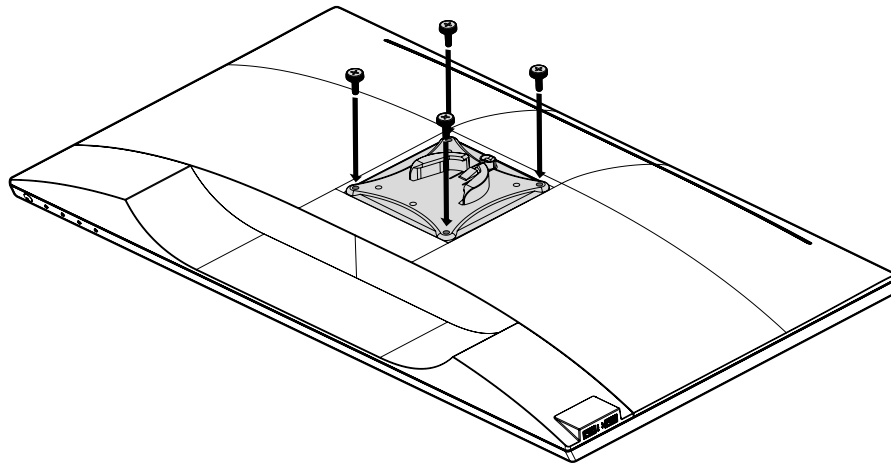


To remove the monitor, press and hold the release button on the VESA plate and slide the monitor upwards.



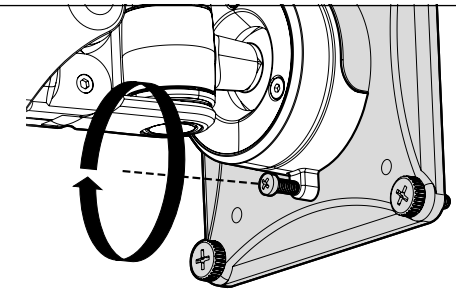
4

Fix the VESA plate to the back of your monitor using the 4 hand-turn fixing bolts. The plate is compatible with 75mm and 100mm VESA configurations.



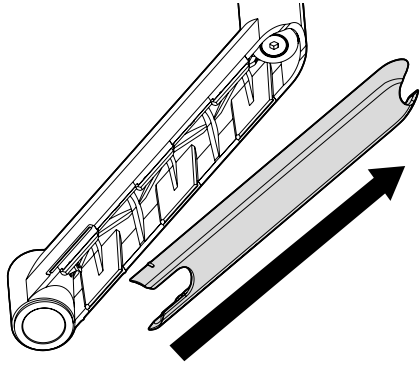
6 Security (optional)

To secure the VESA plate to the VESA head (to avoid monitors being removed quickly) fully tighten the small security screw on the bottom of the VESA head (screwdriver required).

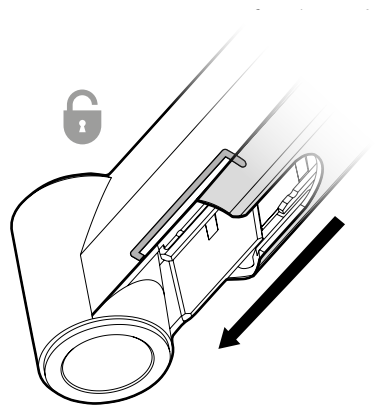


7 Cable management

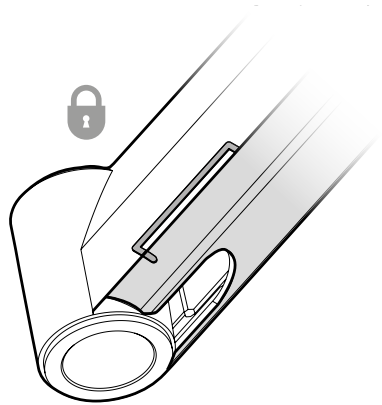
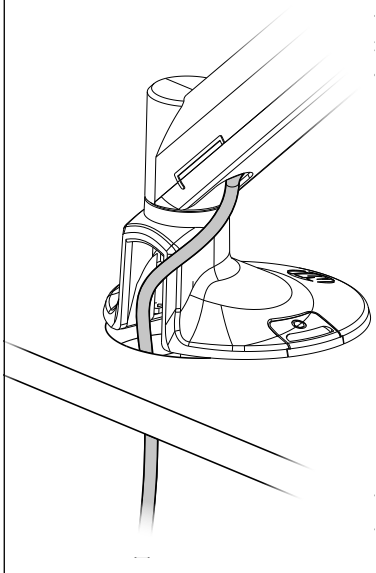
To use the integral cable management slide the cover up and off the lower part of the arm.



To replace the cover, first align the markings on the cover and arm and then slide to lock into place.

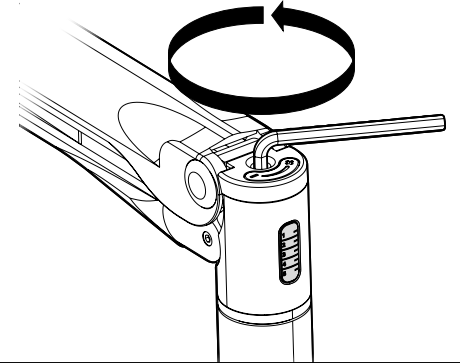


With a through-desk clamp cables pass through the desktop via the back of the base clamp.



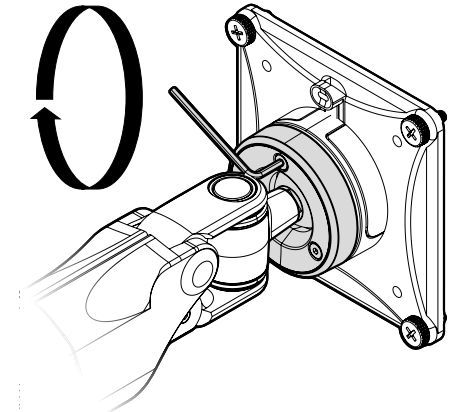
Arm weight tension adjustment

The dynamic arm tension may need to be adjusted to suit the weight of the monitor in use. To adjust the tension use the large hex key to turn the adjustment anticlockwise (for heavier loads) or clockwise (for lighter loads).



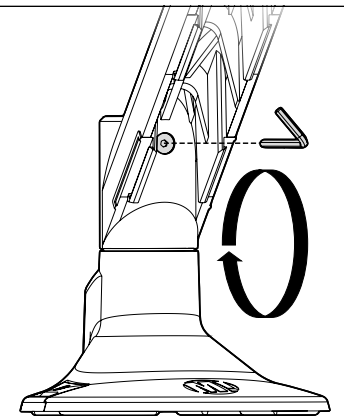
VESA head tension adjustment

If the monitor is drooping or can't be tilted easily, you can adjust the tension of the VESA head. Use the small hex key to tighten or loosen the 3 bolts on the back.



Engage rotation stop

The rotation stop limits the rotation of the lower section of the arm to 180°. To engage the stop remove the cable management cover (step 8) and fully tighten the bolt using the small hex key. To disengage the stop loosen the bolt until the arm rotates freely.



Find these instructions plus video guides online:
metalicon.com/install/levo



+44 (0)1502 533 444
support@metalicon.com
metalicon.com