

# Levo

Dynamic monitor arm for single screen  
GMA821



## Features

One touch height adjustment with smooth gas lift

Easy head adjustment - unique ratchet VESA head with safety clutch mechanism

Quick-release 75mm/100mm VESA mounting plates with hand-turn fixing screws

Optional 180° rotation stop

High capacity integrated cable management

Tension adjustment indicator helps reduce office installation times

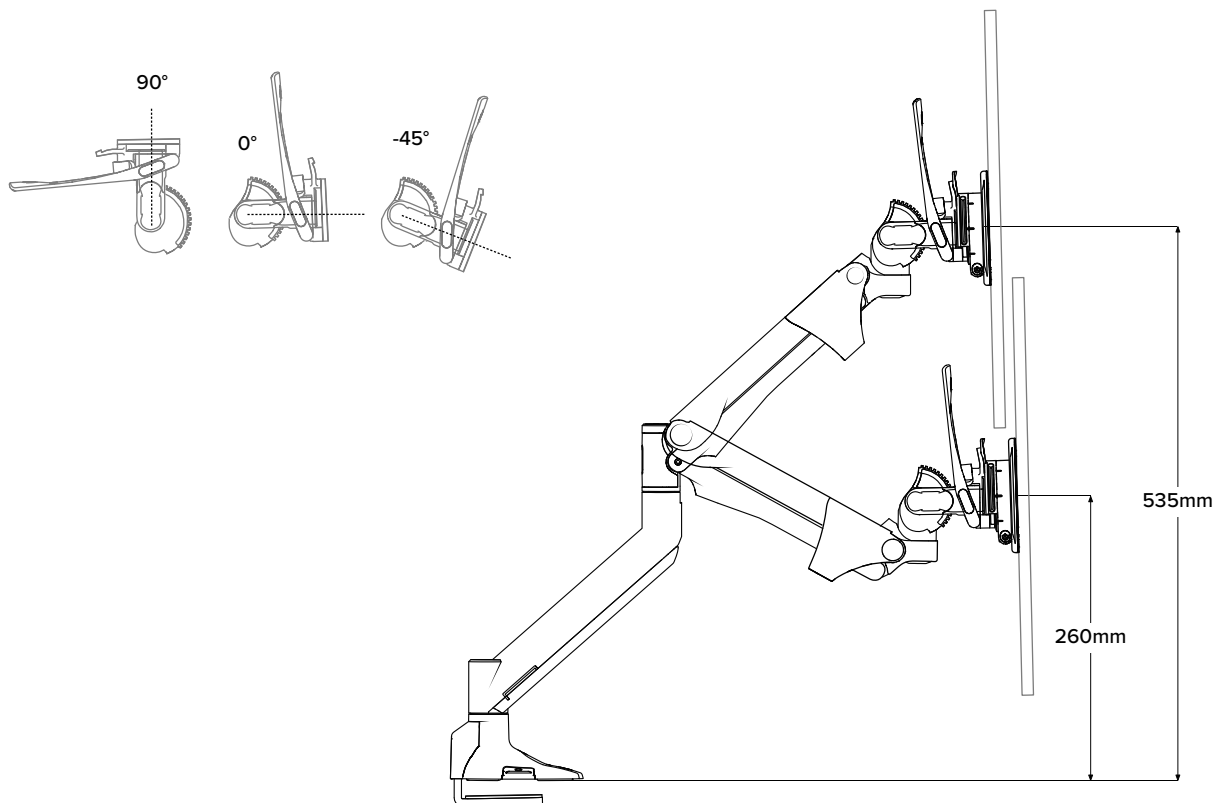
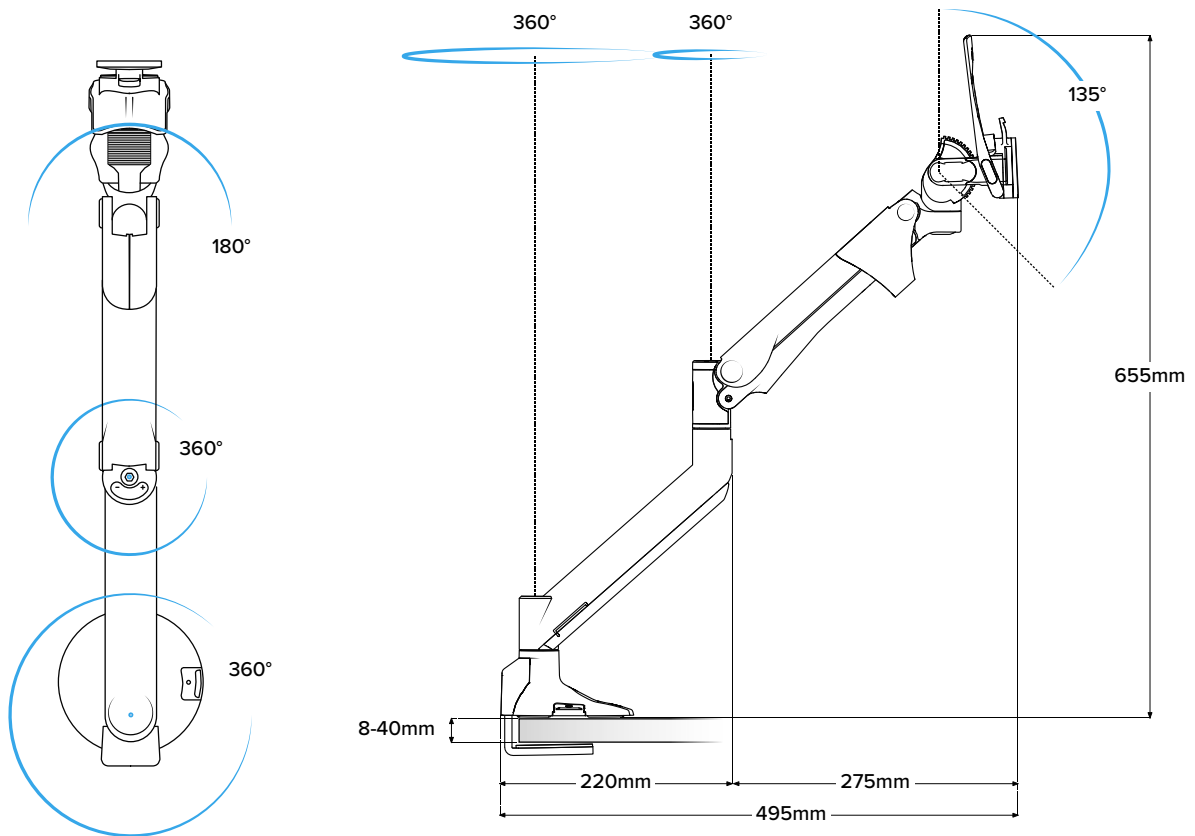
Adjustment hex/allen keys stored in base

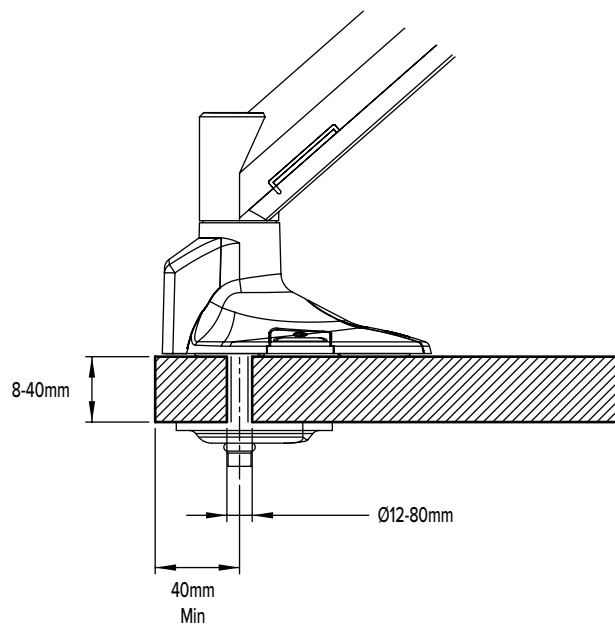
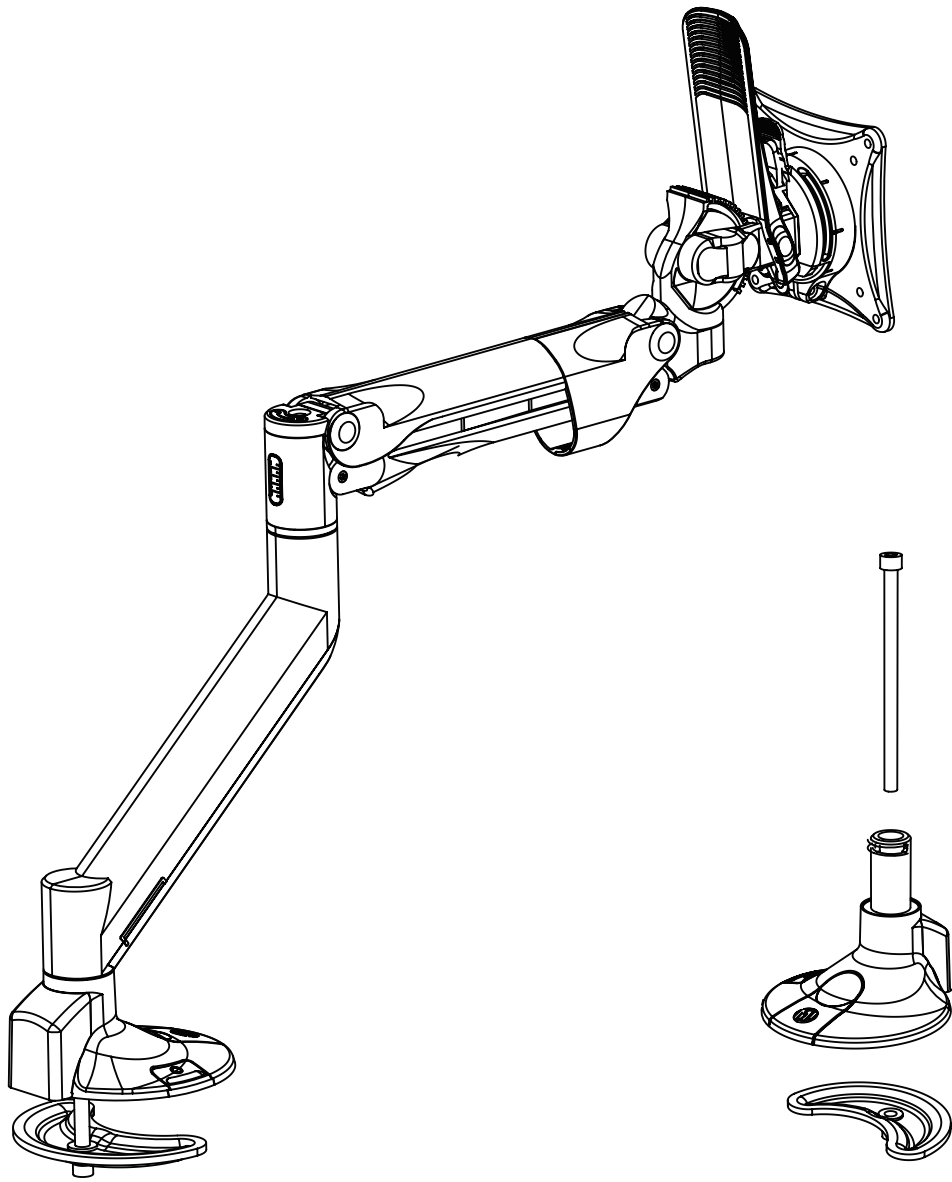
Includes desk edge and through-desk clamps, tightened from above desktop

Available in black or white

Plastic free packaging

Module Dimensions	See following pages
Capacities	Supports screens 2-10kg
Desktop Depth	8-40mm
Weight	2.55kg
Materials	Steel, plastic
Warranty	5 years
Boxed Dimensions	W800 x D183 x H145 mm
Boxed Weight	3.71kg
Outer Box Dimensions - 4 units	W820 x D390 x H315 mm
Outer Box Weight - 4 units	15kg





# Levo Twin Rail

Twin/dual screen rail VESA attachment  
TSR822



## Features

- Optional quick-release attachment
- Compatible with 2 screens weighing 1-4kg each
- Quick-release 75mm/100mm VESA mounting plates with hand-turn fixing screws
- Fits up to 27" monitors
- Tactile tilt and rotation adjustment
- Removable adjustment handle
- Easy install - no tools required!
- Available in black only
- Plastic free packaging

Dimensions	See following pages
Capacities	Supports 2 screens 1-4kg Up to 730mm max. screen width
Weight	1.72kg
Materials	Steel, plastic
Warranty	5 years
Boxed Dimensions	W800 x D175 x H130 mm
Boxed Weight	2.87kg
Outer Box Dimensions - 4 units	W900 x D385 x H290 mm
Outer Box Weight - 4 units	11.5kg

