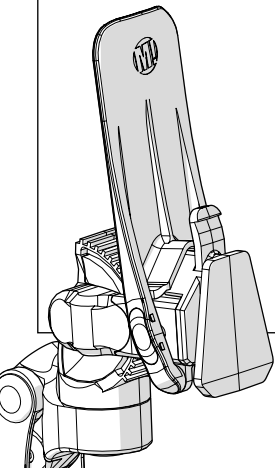
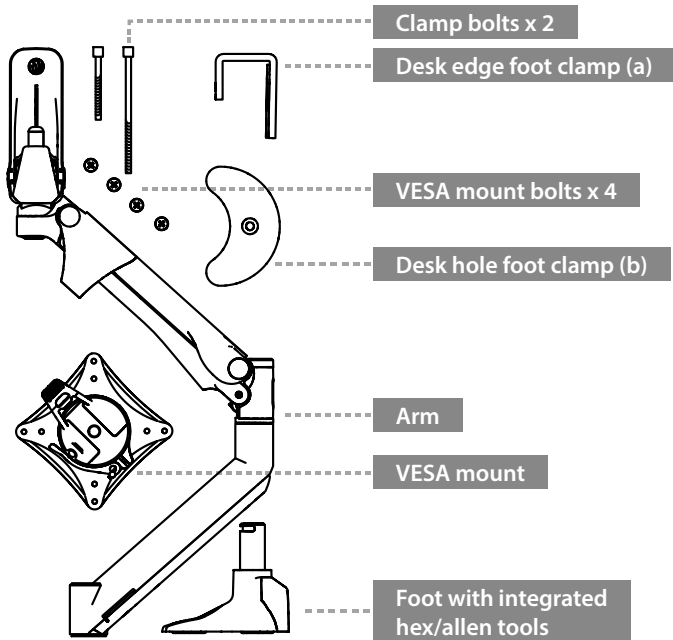


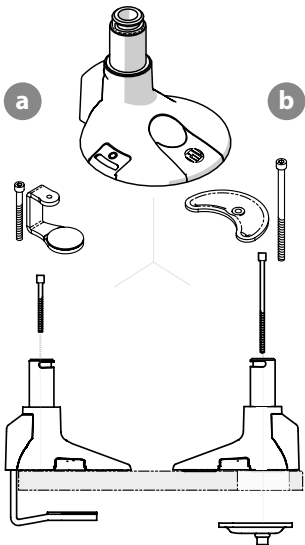
**Levo Monitor Arm**

# Setup Guide



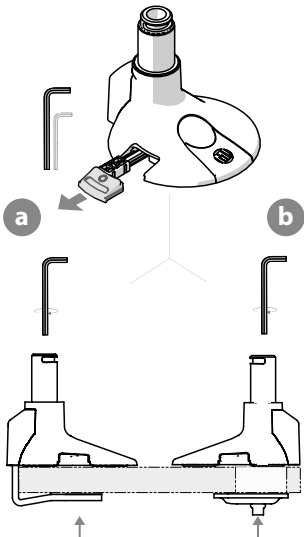
## IN THE BOX



**1****Attach foot to desk  
using clamp 'a' or 'b'**

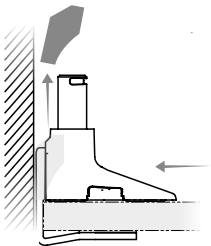
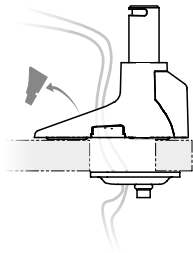
**2**

**Tighten foot clamp  
using large hex/allen  
tool found in side of foot**



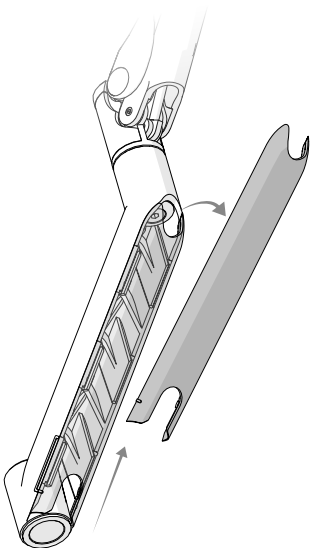
**3**

## Remove cover from foot

**a****b**

**4**

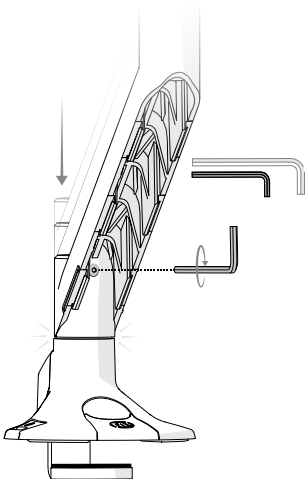
**Remove cable tidy**



**5**

## **Attach arm and tighten using small hex/allen tool**

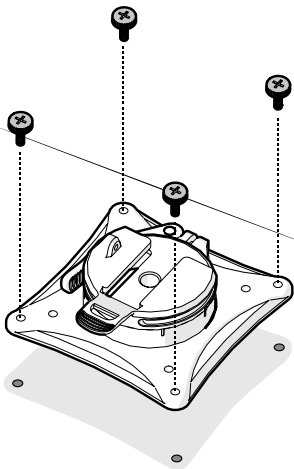
Tightening will engage the 180° rotation stop. Do not tighten to allow the arm to rotate 360°



**6**

## Attach VESA mount to monitor/screen with 4 x bolts

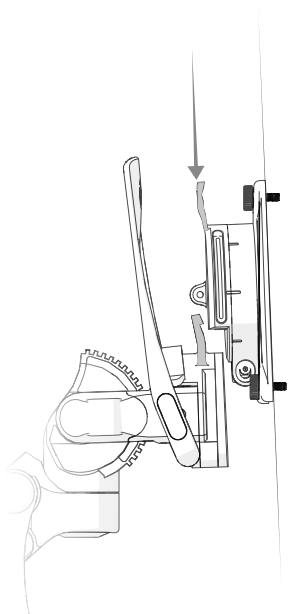
Ensure the release button  
is at the top





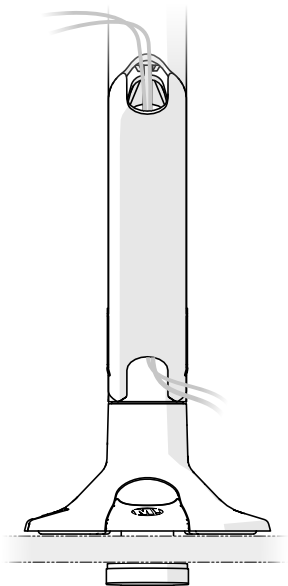
**7**

## **Attach VESA mount to arm**

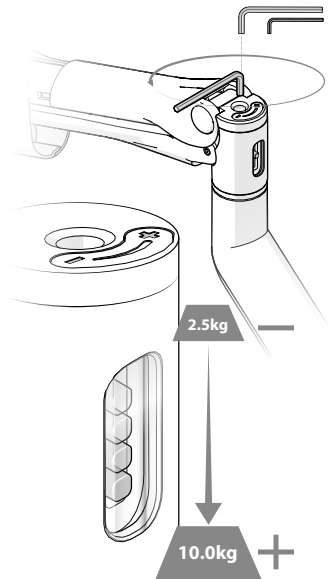


**8**

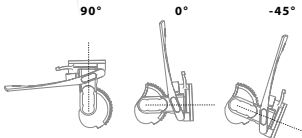
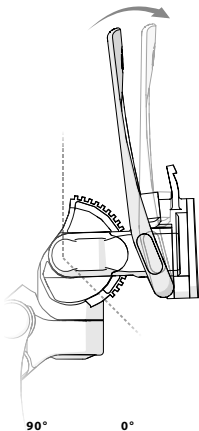
**Tidy cables and  
replace cover**

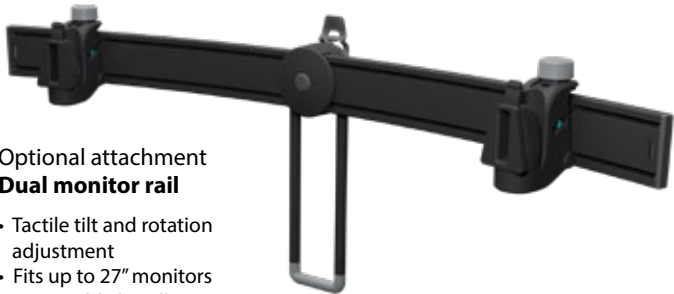


**Adjust weight using  
large hex/allen tool**



# Adjust monitor angle using lever





Optional attachment  
**Dual monitor rail**

- Tactile tilt and rotation adjustment
- Fits up to 27" monitors
- Removable handle
- Easy install - no tools required!



Optional attachment  
**Laptop/tablet holder**

- For laptop or tablet
- Adjustable side supports from 225mm to 460mm
- Soft mounting pads
- Levo direct mounting
- Universal 75 x 75mm VESA fitting for all compatible monitor arms



Watch the install video  
[metalicon.com/install/levo](https://metalicon.com/install/levo)

For further help contact  
our support team:

+44 (0)1502 533 444  
[support@metalicon.com](mailto:support@metalicon.com)



**METALICON®**