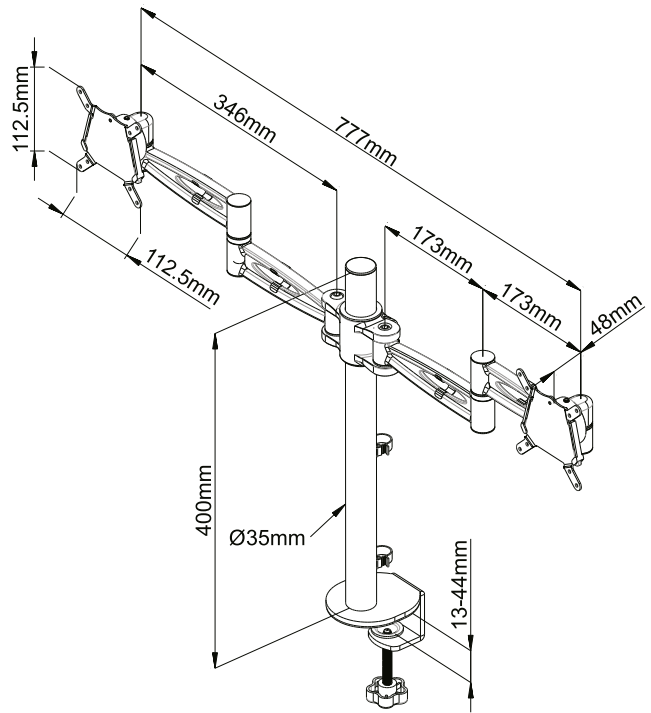
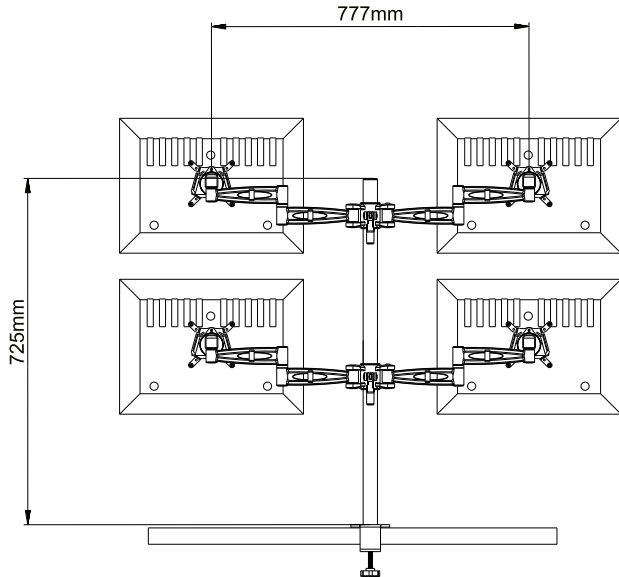


Kardo

Pole-mounted monitor arm, quad
PMA524



Technical specifications

Capacities	4 screens up to 27" 4 x 8kg (32kg total)
Materials	Steel
Warranty	5 years
Certification	BS EN ISO 9241 Workplace Ergonomics PP 045 Safety & Durability

Boxed specifications (2 boxes)

Dimensions	W540 x D260 x H110 mm
Weight (per box)	5.4kg

Features

- Quick release 75mm/100mm VESA mounting plates as standard with hand-turn fixing screws
- Quick release arm height adjustment
- Includes pre-assembled hand-turn desk edge clamp and hand-turn through-desk clamp
- Complete cable management
- Integrated flower holder in the pole
- Low profile mini clamp option (KMC1827)
- 550mm (EP550) and 700mm (EP700) poles available
- Available in black, white or silver