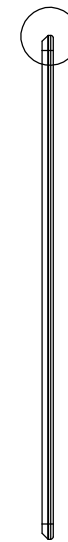
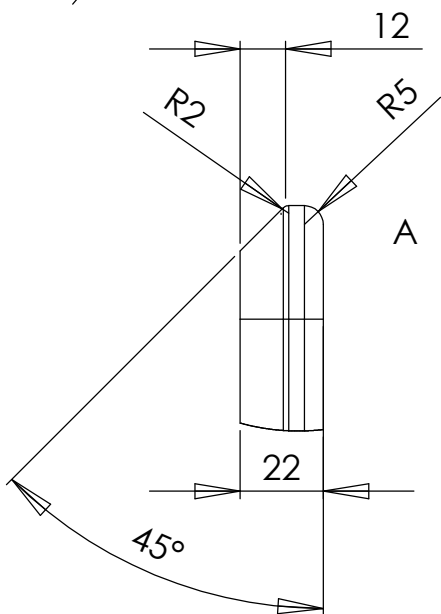
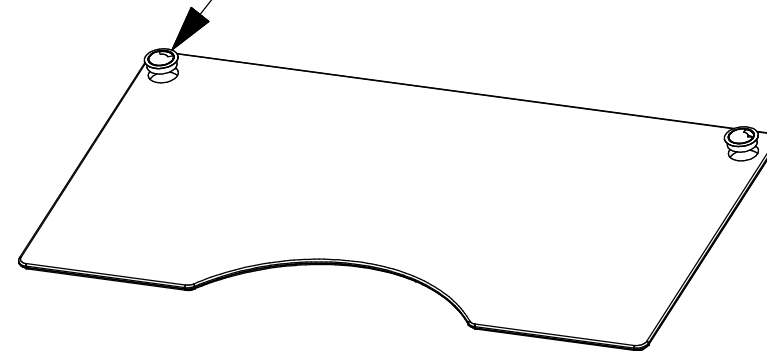


A



Cablevent, black (x2)  
302700



UNLESS OTHERWISE SPECIFIED DIMENSIONS ARE IN MM TOLERANCES ARE: According to DIN 7168-m	MATERIAL SPECIFICATION:	ConSet A/S <small>Staalvej 14-16 6900 Skjern Denmark</small>
	---	
	PROCES SPECIFICATION:	Tabletop, 180C
MATERIAL MDF + Veneer	---	
FINISH Lacquered	---	XXXXXX
DO NOT SCALE DRAWING	DRAWN JO	
	DATE 060223	REV. 0